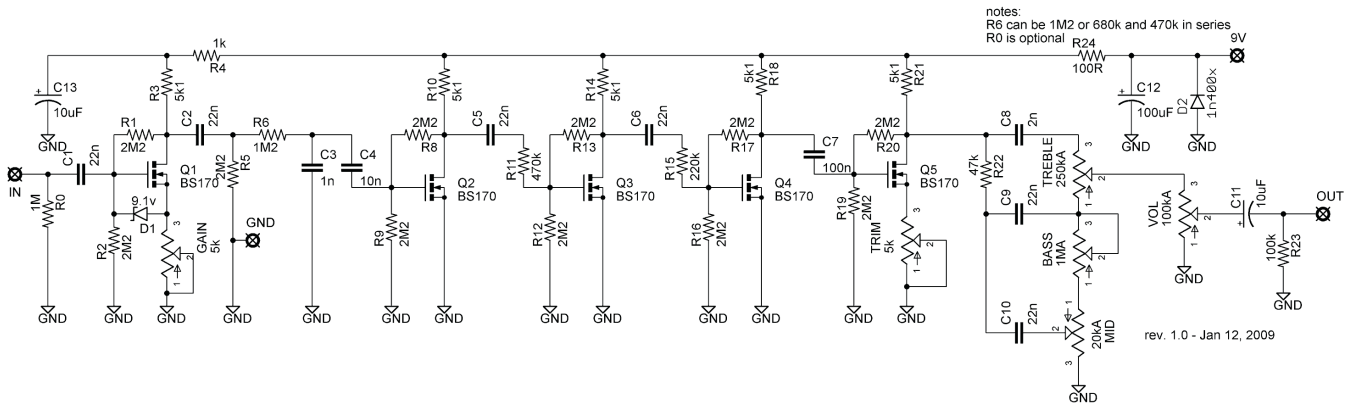


KOKBOX

SCHEMATIC



NOTES

R0 IS YOUR PULLDOWN RESISTOR TO PREVENT POPPING.
 R6 ON THE ORIGINAL DESIGN IS A 470K AND 680K IN SERIES. I'VE SIMPLIFIED IT TO ONE 1M2 RESISTOR.
 D2 CAN BE ANY VALUE IN400X, SUCH AS IN4001, IN4002, ETC.
 MAKE SURE YOU PLAY AROUND WITH THE TRIMPOT TO GET DIFFERENT DEGREES OF BOOST AND GAIN.
 WITH ZENER PROTECTION, Q1 SHOULD BE SAFE FROM STATIC DISCHARGE, BUT YOU CAN SOCKET IT JUST IN CASE IT BLOWS.

