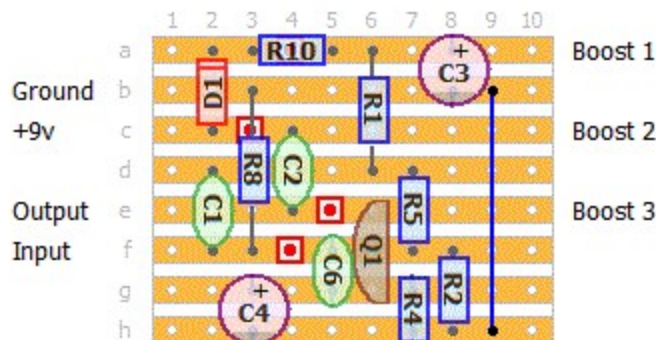


Brian May Treble Booster

Layout by Harald Sabro. Based on schematic from www.generalguitargadgets.com

VERIFIED

10 x 8 vero board, 4 cuts, 1 jumper



R1: 100K

R2: 22K

R4: 2.4K

R5: 1K

R8: 120K

R10: 100R

C1: 6.8nF

C2: 47nF

C3: 47uF

C4: 47uF

C6: 1nF

Q1: NPN BJT

D1: 1N914/1N4148

Boost: A10k

Notice cut underneath R10

Q1 from top to bottom: C B E

Capacitors rated 16v+

Original used BC182L (pinout E C B), but try any medium gain NPN

Boost pot can optionally be board-mounted

