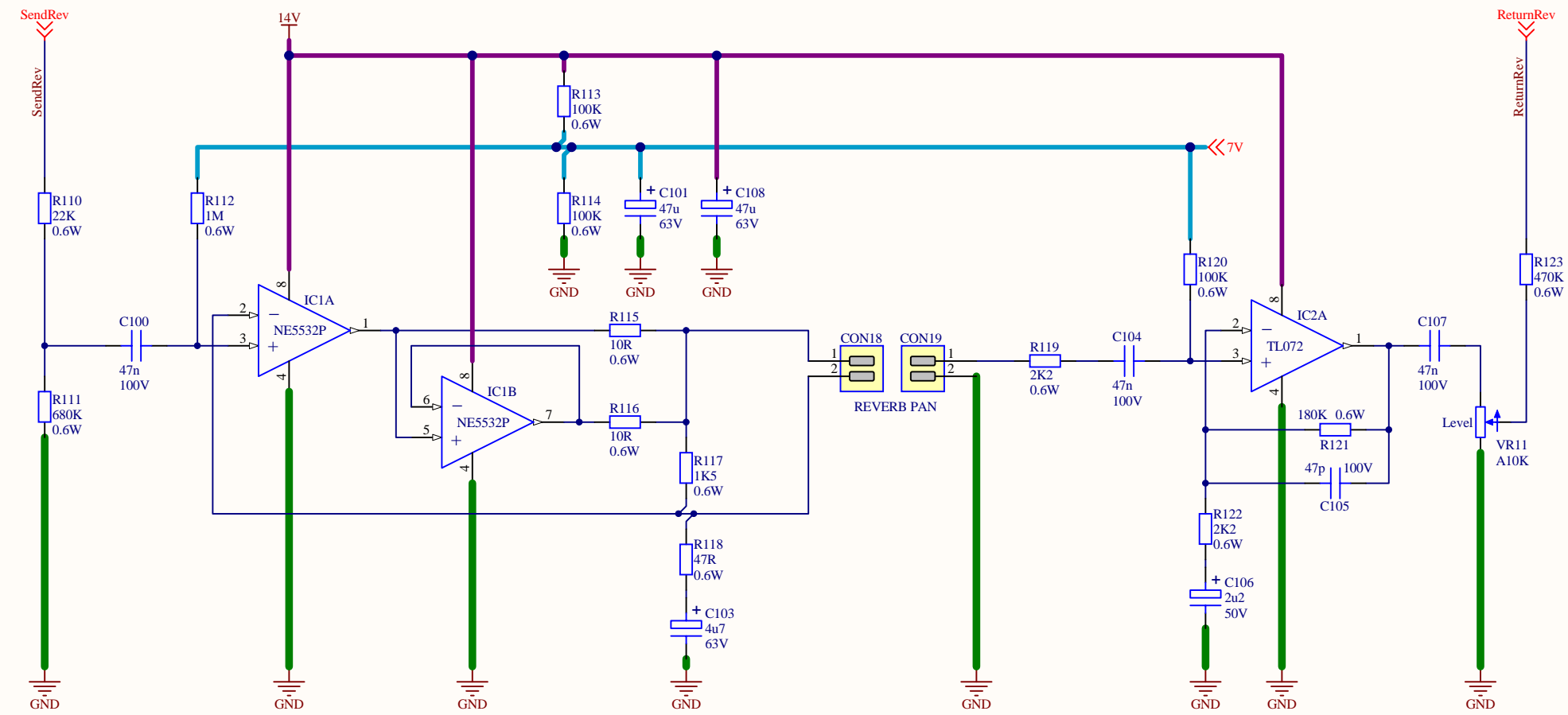
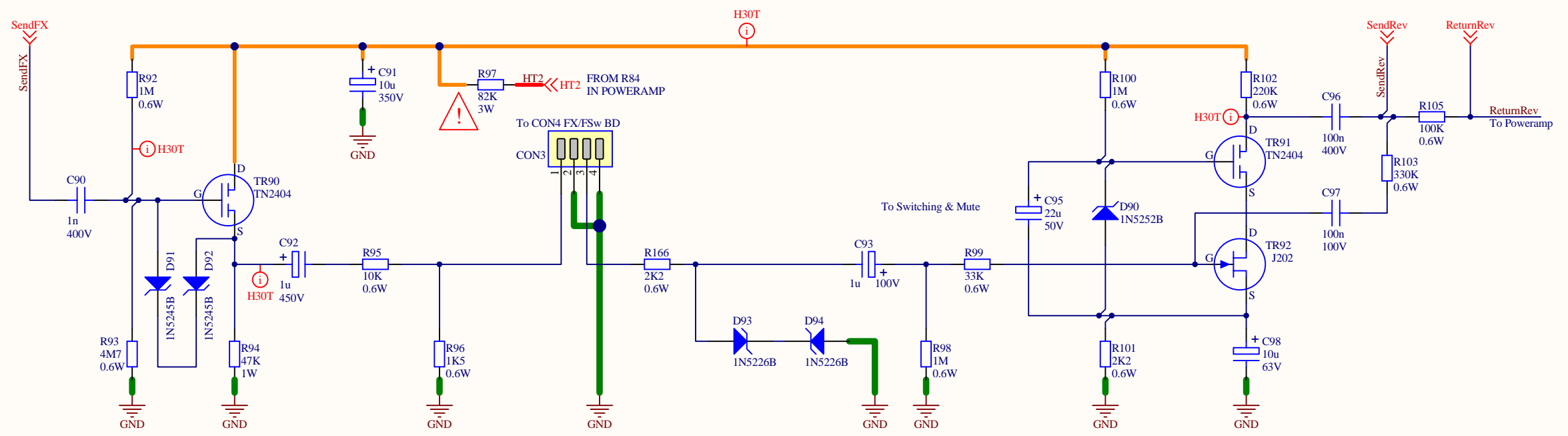




MA100-60-02

FX LOOP

REVERB



**SAFETY CRITICAL COMPONENTS**  
COMPONENTS MUST BE REPLACED WITH THE SAME TYPE AND RATING ONLY.

MATERIAL		DIMENSIONS IN mm	
MATERIAL THICKNESS		TOLERANCE (UNLESS OTHERWISE STATED)	
DRAWN S.B.	DATE 23-01-08	HOLE DIA = +/- DIMENSIONAL = +/-	
CHECKED S.R.D.	DATE	MODEL	
APPROVED	DATE	MA100 MA50	



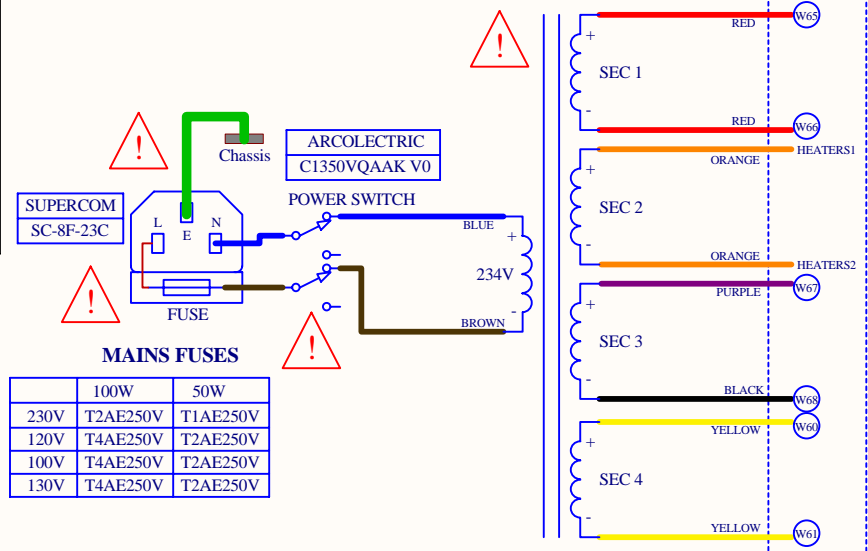
TITLE <b>MAIN PCB FX LOOP &amp; REVERB</b>		
DWG. No. <b>MA100-60-02</b>	ISS <b>3</b>	Sheet <b>2 of 5</b>
Date: 25/01/2010		

3	MODS FOR PCB ISS 2	09-11-09
2	MODS	13-10-09
1	RELEASE	07-09-09
E1	MODS	16-06-09
ISS	ECO NUMBER	DATE

MA100-60-02

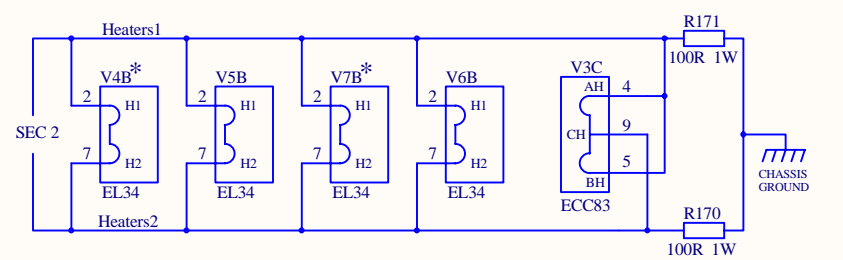
**MAINS TRANSFORMERS**

100W HEAD	100W COMBO	50W HEAD	50W COMBO
230V TXMA-91016	TXMA-91017	TXMA-91018	TXMA-91019
120V TXMA-91020	TXMA-91021	TXMA-91022	TXMA-91023
100V TXMA-91024	TXMA-91025	TXMA-91026	TXMA-91027
130V TXMA-91028	TXMA-91029	TXMA-91030	TXMA-91031

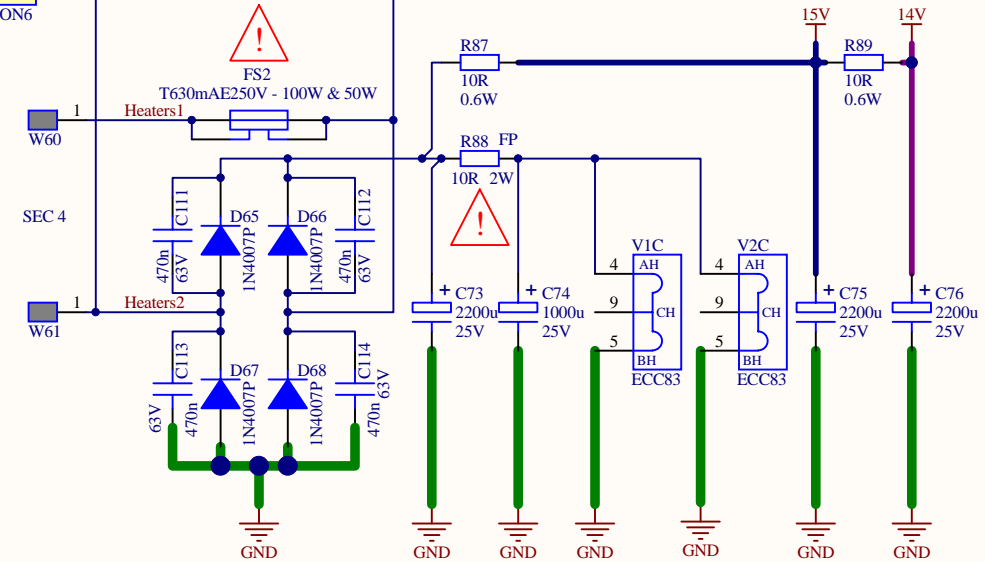
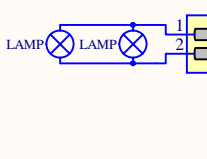


**MAINS FUSES**

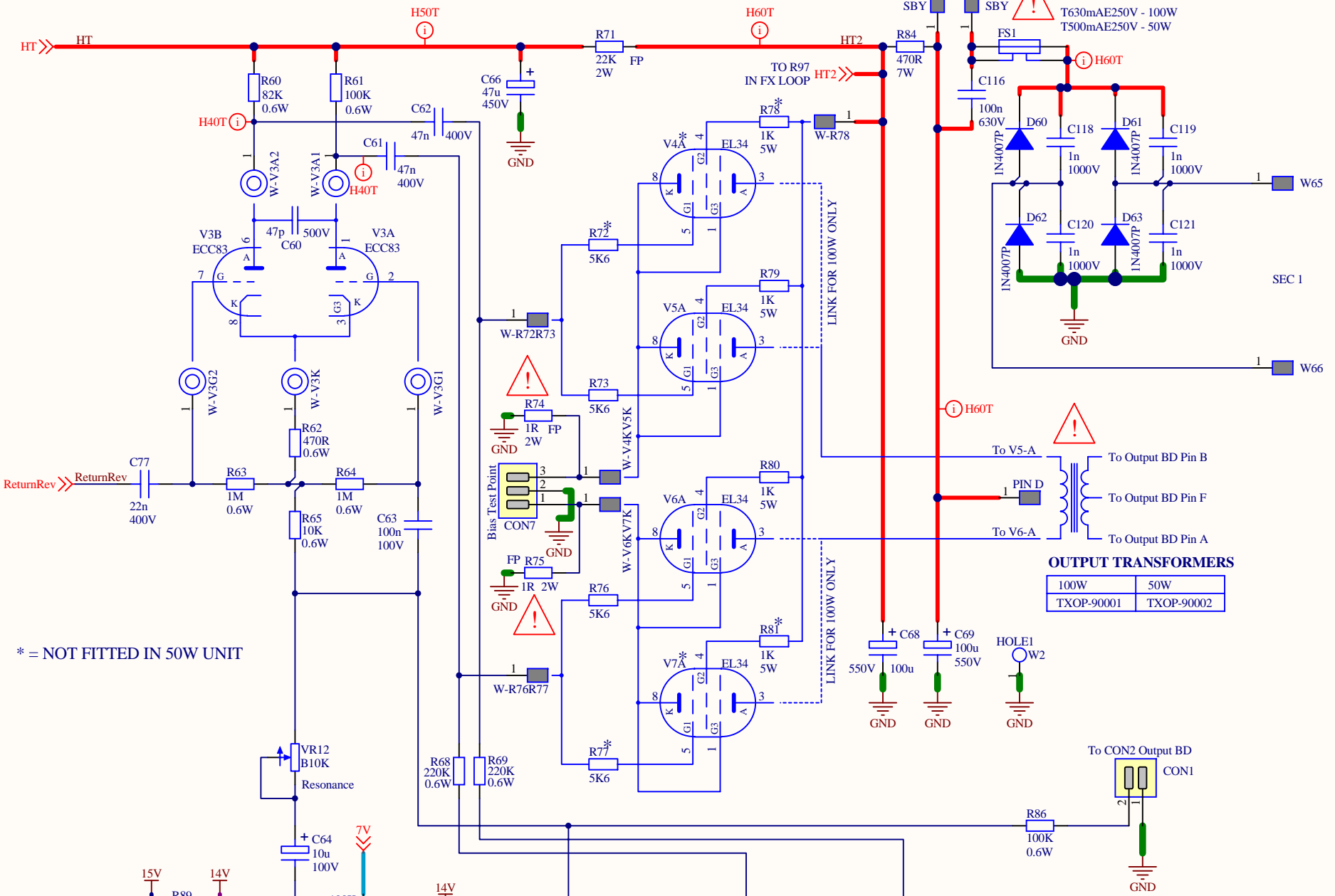
100W	50W
230V T2AE250V	T1AE250V
120V T4AE250V	T2AE250V
100V T4AE250V	T2AE250V
130V T4AE250V	T2AE250V



**FOR VALVE ILLUMINATION**



\* = NOT FITTED IN 50W UNIT



**OUTPUT TRANSFORMERS**

100W	50W
TXOP-90001	TXOP-90002

**SAFETY CRITICAL COMPONENTS**  
COMPONENTS MUST BE REPLACED WITH THE SAME TYPE AND RATING ONLY.

3	MODS FOR PCB ISS 2	09-11-09
2	MODS	13-10-09
1	RELEASE	07-09-09
E1	MODS	16-06-09
ISS	ECO NUMBER	DATE

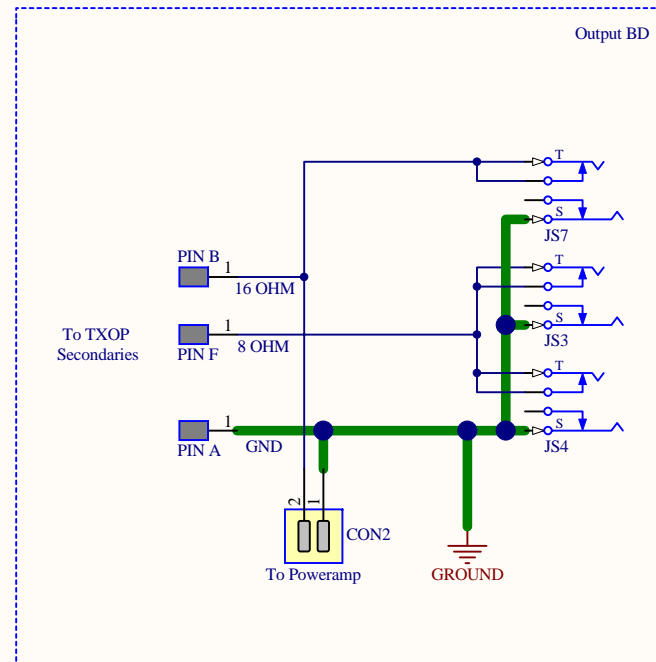
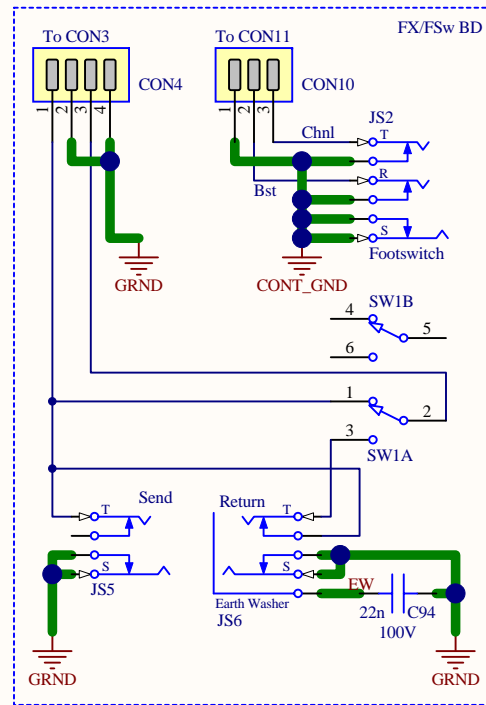
MATERIAL		DIMENSIONS IN mm	
MATERIAL THICKNESS		TOLERANCE (UNLESS OTHERWISE STATED)	
DRAWN S.B.	DATE 22-01-08	HOLE DIA = +/- DIMENSIONAL = +/-	
CHECKED S.R.D.	DATE	MODEL	
APPROVED	DATE	MA100 MA50	



TITLE <b>MAIN PCB POWERAMP &amp; PSU</b>		
DWG. No. <b>MA100-60-02</b>	ISS <b>3</b>	Sheet <b>3 of 5</b>
Date: 25/01/2010		



MA100-60-02



3	MODS FOR PCB ISS 2	09-11-09
2	MODS	13-10-09
1	RELEASE	07-09-09
E1	MODS	16-06-09
ISS	ECO NUMBER	DATE

**SAFETY CRITICAL COMPONENTS**  
COMPONENTS MUST BE REPLACED WITH THE SAME TYPE AND RATING ONLY.

MATERIAL		DIMENSIONS IN mm	
MATERIAL THICKNESS		TOLERANCE (UNLESS OTHERWISE STATED)	
DRAWN S.B.	DATE 22-01-08	HOLE DIA = +/- DIMENSIONAL = +/-	
CHECKED S.R.D.	DATE	MODEL	
APPROVED	DATE	MA100 MA50	

*Marshall*  
AMPLIFICATION

© MARSHALL AMPLIFICATION PLC  
DENBIGH ROAD, BLETCHLEY, MILTON KEYNES, MK1 1DQ.  
TEL (01908) 375411 FAX (01908) 376118

File: J:\MD48\100W Iss3-2\MA100-60-02-3-5.SchDoc

TITLE <b>MAIN PCB DAUGHTER BOARDS</b>		
DWG. No. <b>MA100-60-02</b>	ISS <b>3</b>	Sheet <b>5 of 5</b>
Date: 25/01/2010		