

50,17

71,89

Unit of measure in centimeters
1 centimeter = 0,39 inches
1 inch = 2,54 centimeters
1" = 25,40 millimeters

GIBSON EXPLORER

The original Explorer of 1958 was more radically modernistic than its famous cousin, the Flying V. Musicians finally caught up with the Explorer in 1976, and today's Explorer revives the first reissue.

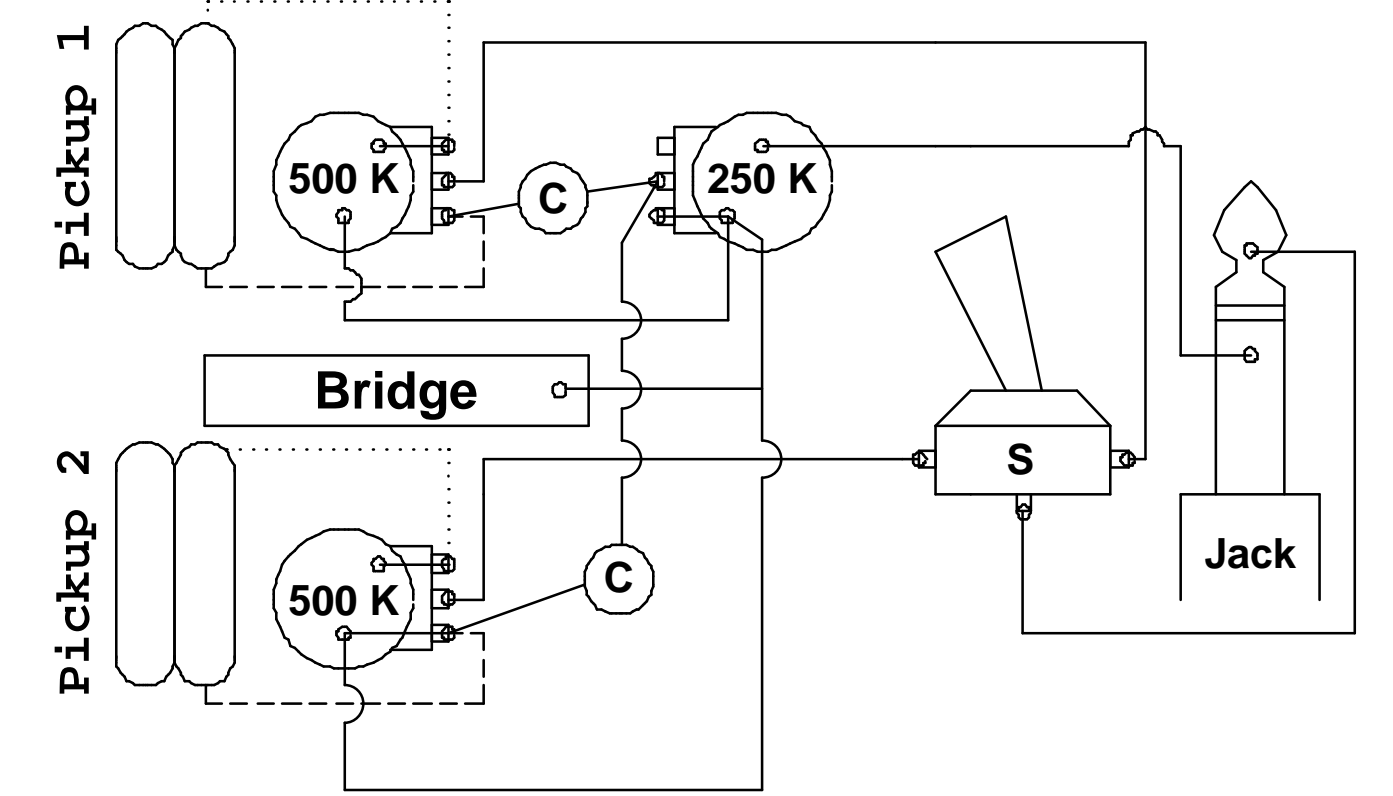
- Body Mahogany
- Neck/Profile Mahogany/Rounded
- Fingerboard/Inlay Rosewood/Dot
- Scale/Nut Width 24^{3/4}"/1115⁸"
- Bridge/Tailpiece Tune-o-matic/Stop bar Hardware Chrome (Gold on Natural)
- Pickups 496R ceramic magnet humbucker 500T ceramic magnet humbucker
- Controls Two volume, one tone, three-way switch
- Strings Brite Wires .009-.042

- Verify all the reference measures manually.
- This plane was complemented with Archicad by Carmelo Giannetto.

Scale Length: 628,7 mm

Fret Number	mm from Nut	mm from Fret
1	35,3	35,3
2	68,6	33,4
3	100,1	31,5
4	129,7	29,7
5	157,7	28,1
6	184,2	26,5
7	209,1	25,0
8	232,7	23,6
9	254,9	22,3
10	275,9	21,0
11	295,7	19,9
12	314,4	18,7
13	332,0	17,7
14	348,7	16,7
15	364,4	15,8
16	379,2	14,9
17	393,2	14,1
18	406,4	13,3
19	418,9	12,5
20	430,7	11,8
21	441,8	11,2
22	452,3	10,5

Description	
Electronics	
.....	White wire
-----	Black wire
C	0,02 mfd capacitor
250k	Potentiometer Tone
500K	Potentiometer Vol.
S	3-way toggle switch



Mother of Pearl inlay material

Bone nut for Gibson style

Jumbo fretwire

Plastic binding

Plastic Trussrod nut cover

Short plastic pickup ring

Tall plastic pickup ring

Vintage style tuner

"Bell Knobs" knobs for potentiometer

"Tune o Matic" style bridge

3-ply plastic binding

Acero/Maple

Ebano/Ebony

Double action trussrod

Mogano/Mahogany

Mogano/Mahogany

4,40

52,14

Sezione A-A

Sezione A-A

2,00

2,20

0,60

0,60