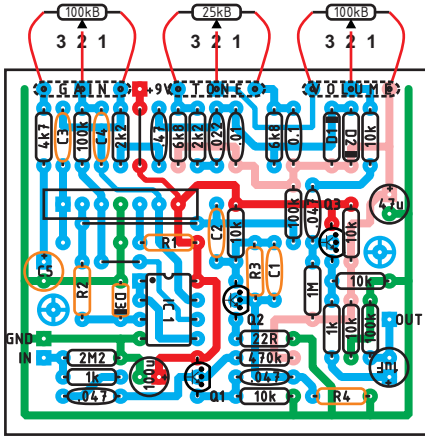
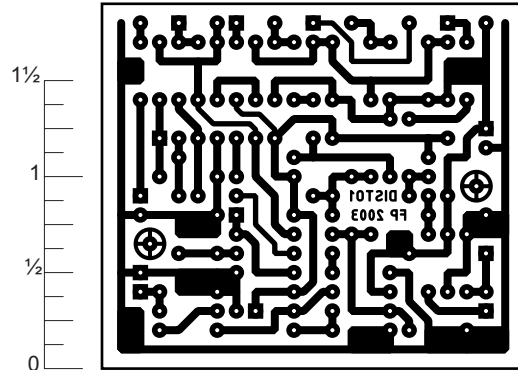


BOSS DS1 workalike: Both the older and newer versions can be built on this layout, choose the components from the parts list for either one. Trademarks remain property of their owners.



LAYOUT



READY TO TRANSFER

Parts List (common)

- | Resistors | Capacitors |
|----------------|-------------------|
| 1 - 22ohm | 1 - 100 μ F |
| 2 - 1k | 1 - 47 μ F |
| 2 - 2.2k (2k2) | 1 - 1 μ F |
| 1 - 4.7k (4k7) | 1 - 0.01 μ F |
| 2 - 6.8k (6k8) | 1 - 0.022 μ F |
| 6 - 10k | 3 - 0.047 μ F |
| 3 - 100k | 1 - 0.47 μ F |
| 2 - 470k | 1 - 0.1 μ F |
| 1 - 1M | Diodes |
| 1 - 2.2M (2M2) | 2 - 1N914 |
| Pots | Transistors |
| 2 - 100k Lin | 3 - 2N5088 |
| 1 - 25k Lin | |

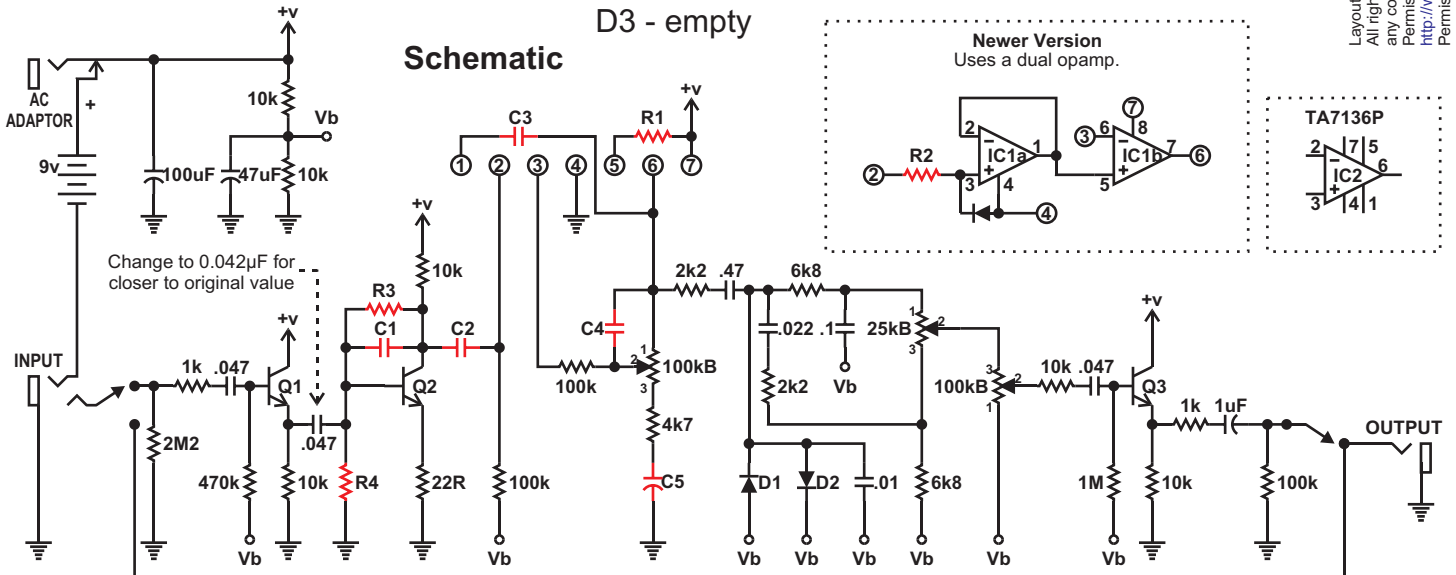
Parts List (TA7136P)

- | Resistors |
|-------------------|
| R1 - 27k |
| R2 - empty |
| R3 - 470k |
| R4 - 100k |
| Capacitors |
| C1 - 250 pF |
| C2 - 0.47 μ F |
| C3 - 150 pF |
| C4 - 250pF |
| C5 - 1 μ F |
| IC's/etc |
| IC1 - empty |
| IC2 - TA7136P |
| D3 - empty |

Parts List (TL072)

- | Resistors | Capacitors |
|-------------------|--------------------|
| R1 - empty | C1 - 470 pF |
| R2 - 47k | C2 - 0.068 μ F |
| R3 - 100k | C3 - empty |
| R4 - 1M | C4 - 100pF |
| C5 - 0.47 μ F | |
| IC's | |
| IC1 - TL072 | |
| IC2 - empty | |
| D3 - 1N914 | |

Schematic



Layout and presentation by Francisco Peña 2001 - 2004®.
 All rights reserved. Authorization for personal use only.
 any commercial use is forbidden.
 Permission for posting/serving limited to
<http://www.tonepad.com>
 Permission refused for posting from other sites.