

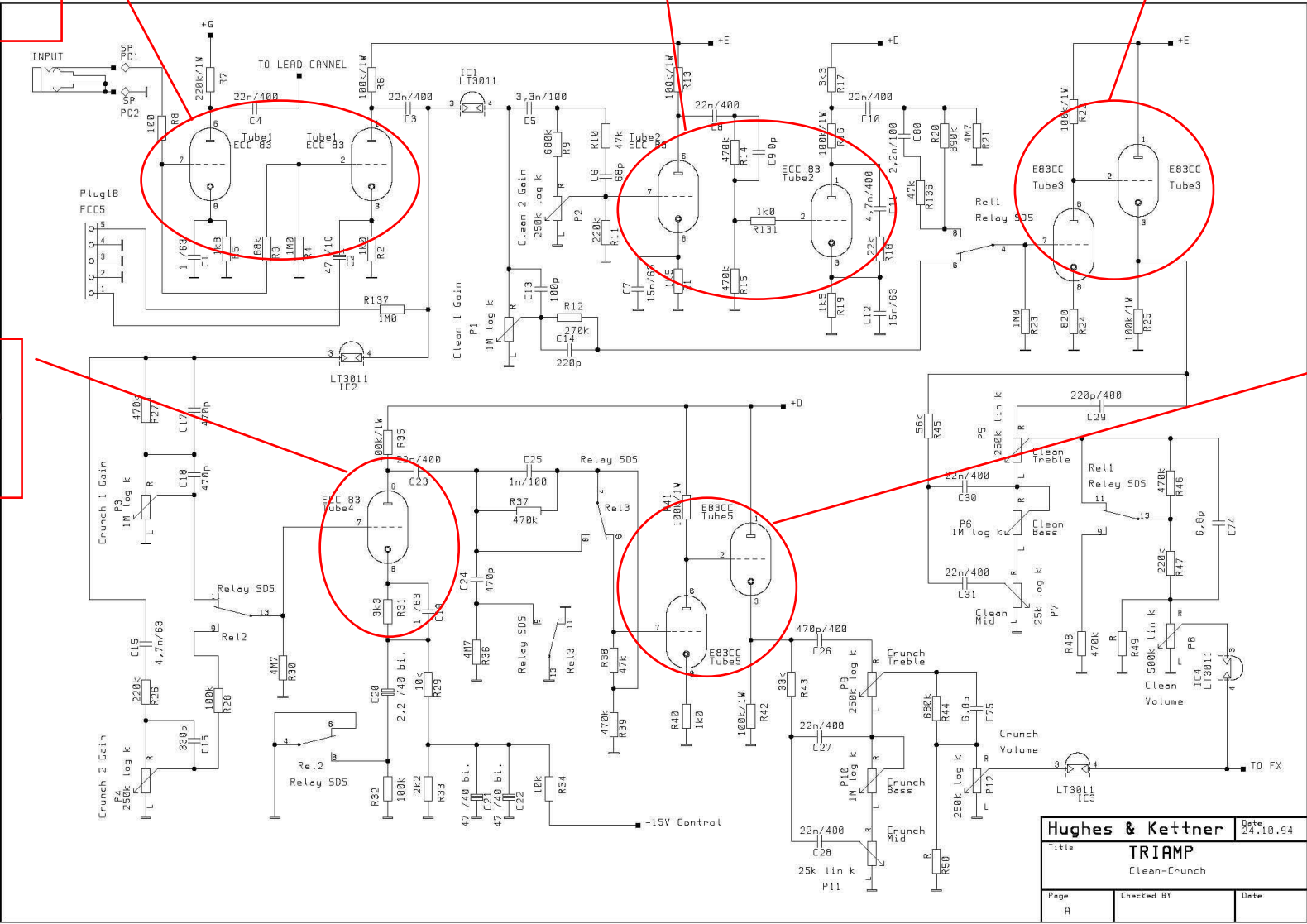
Tube1
ECC83/12AX7A
HIGHGRADE
○
7025WA

Tube2. AMP1
ECC83/12AX7A

Tube3. AMP1
ECC83/12AX7A

Tube4.
AMP2
ECC83/12AX7A

Tube5.
AMP2
ECC83/12AX7A



AMP1
Clean Channel

AMP2
Crunch Channel

AMP3
Lead Channel

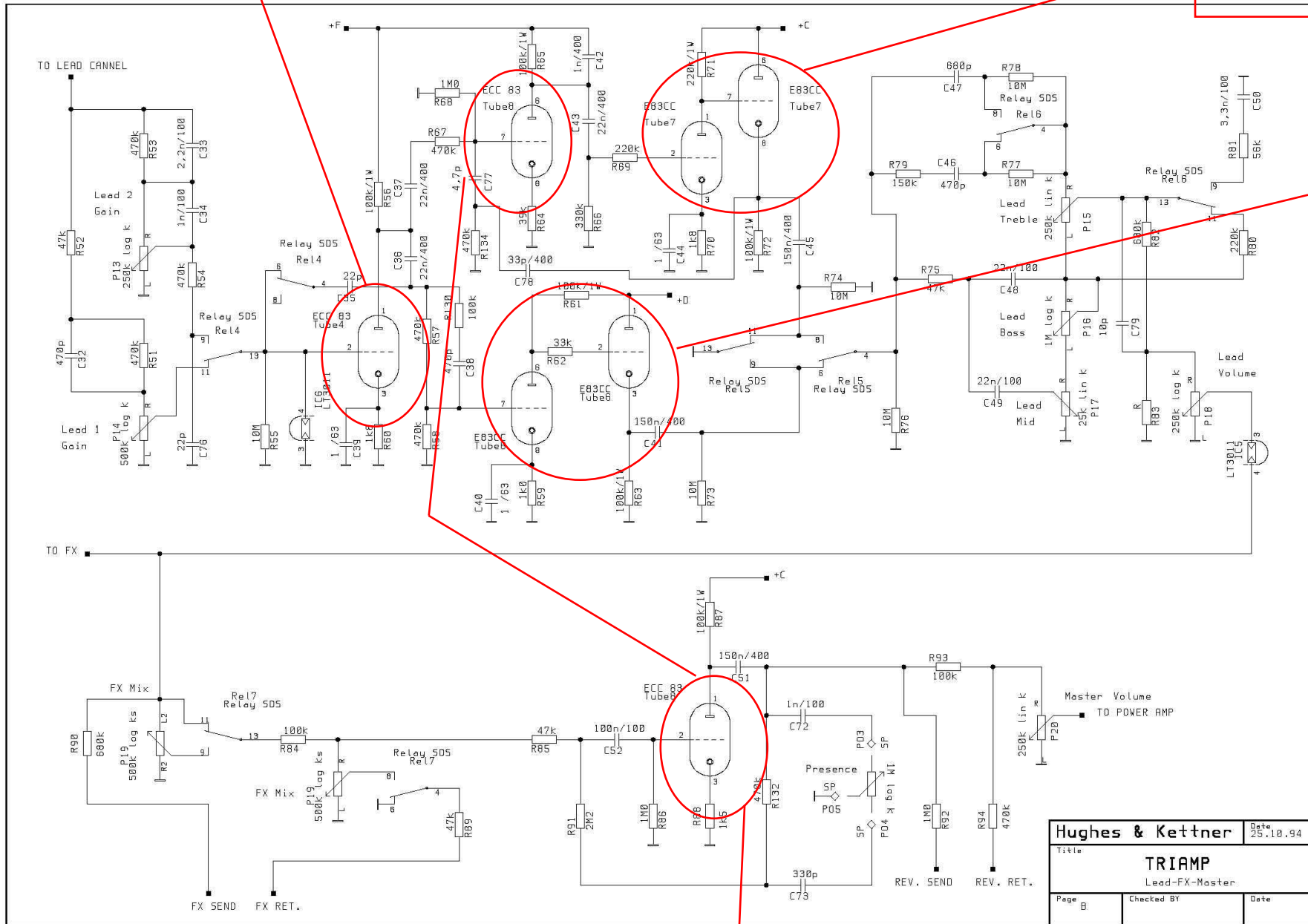
| | | |
|-------------------------------|------------|----------|
| Hughes & Kettner | | Date |
| Title | | 24.10.94 |
| TRIAMP Clean-Crunch | | |
| Page | Checked BY | Date |
| A | | |

**Tube4.AMP2
ECC83/12AX7A**

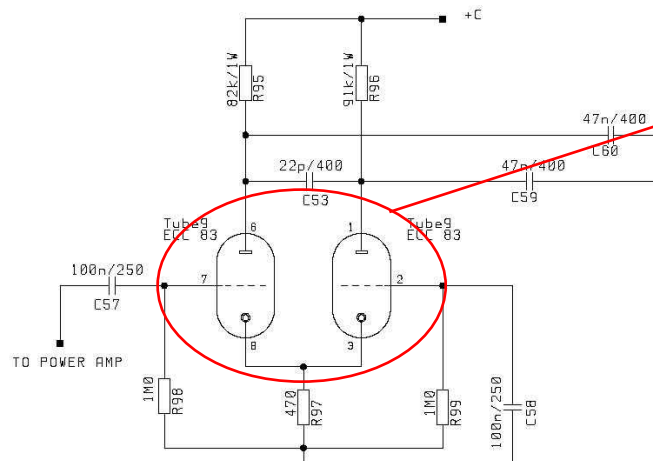
**Tube7.AMP3
ECC83/12AX7A**

**Tube6.
AMP3
ECC83/12AX7A**

**Tube8.
MASTER/PRESENCE
ECC83/12AX7A**

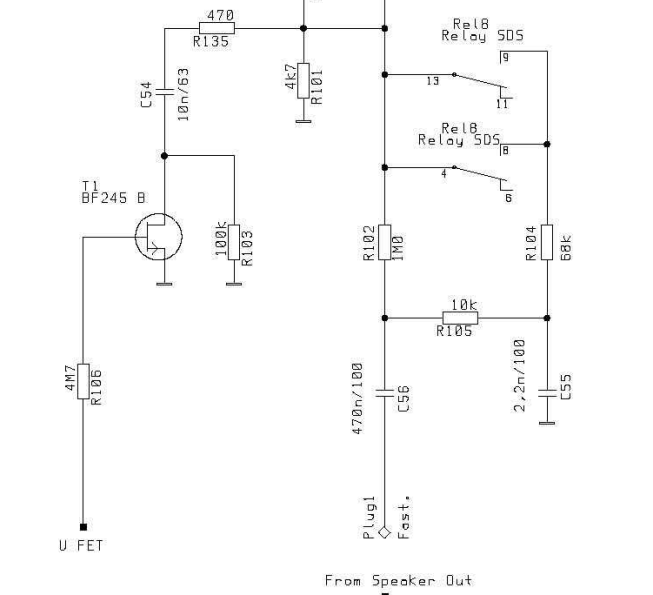
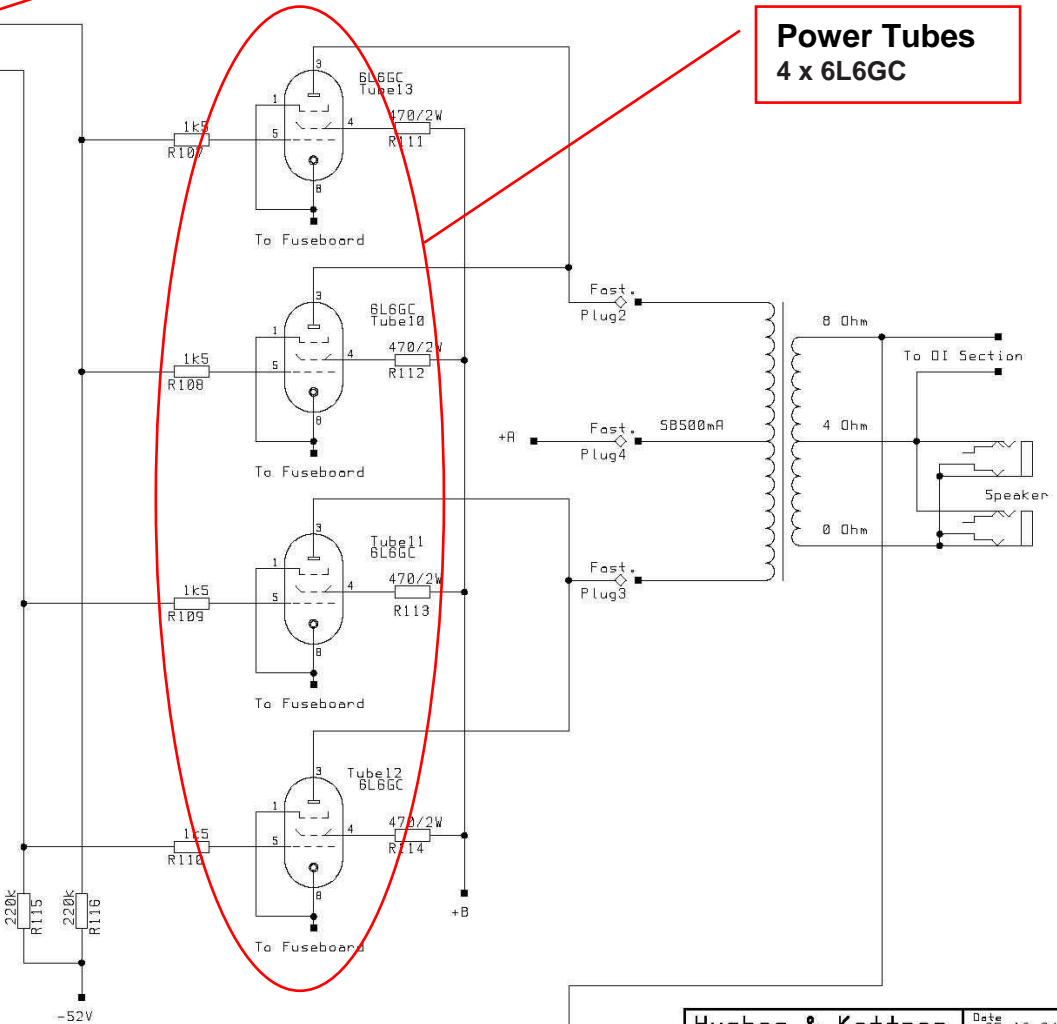


| | | |
|------------------|------------|----------|
| Hughes & Kettner | | Date |
| Title | | 25.10.94 |
| TRIAMP | | |
| Lead-FX-Master | | |
| Page | Checked BY | Date |
| B | | |



**Tube9.
POWER
ECC83/12AX7A**

**Power Tubes
4 x 6L6GC**



| | | |
|------------------------------------|------------|---------------|
| Hughes & Kettner | | Date 25.10.94 |
| Title TRIAMP Poweramp | | |
| Page C | Checked BY | Date |

