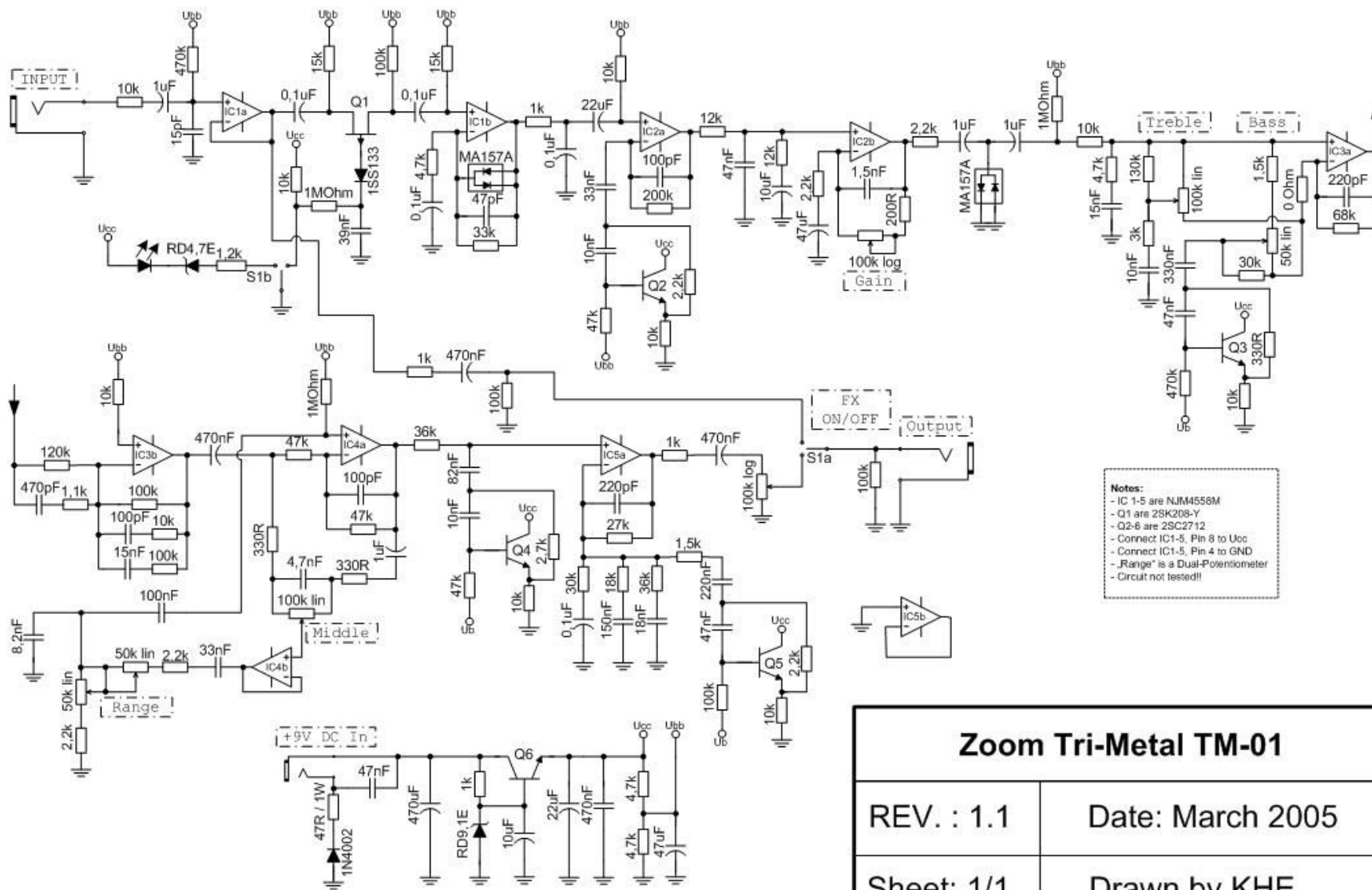


zoom trimetal (1052x706x24b jpeg)



- Notes:**
- IC 1-5 are NJM4558M
  - Q1 are 28K208-Y
  - Q2-6 are 2SC2712
  - Connect IC1-5, Pin 8 to Ucc
  - Connect IC1-5, Pin 4 to GND
  - „Range“ is a Dual-Potentiometer
  - Circuit not tested!!

<b>Zoom Tri-Metal TM-01</b>	
REV. : 1.1	Date: March 2005
Sheet: 1/1	Drawn by KHE

