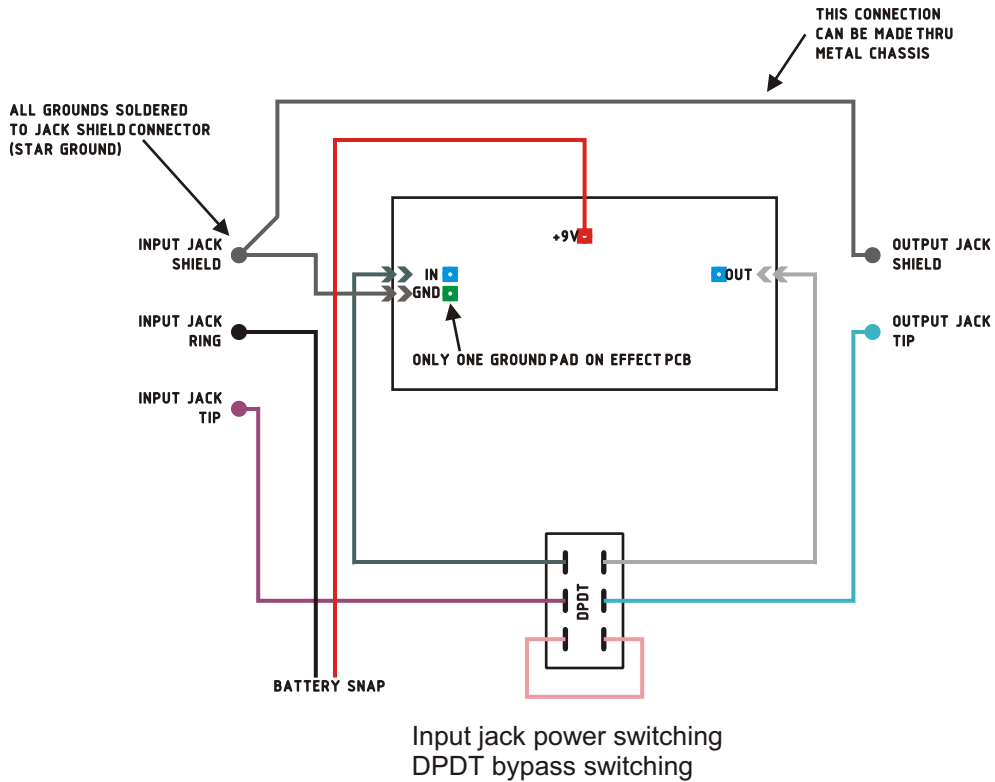


OFFBOARD WIRING 1

Rev.2.Sep.2.2005

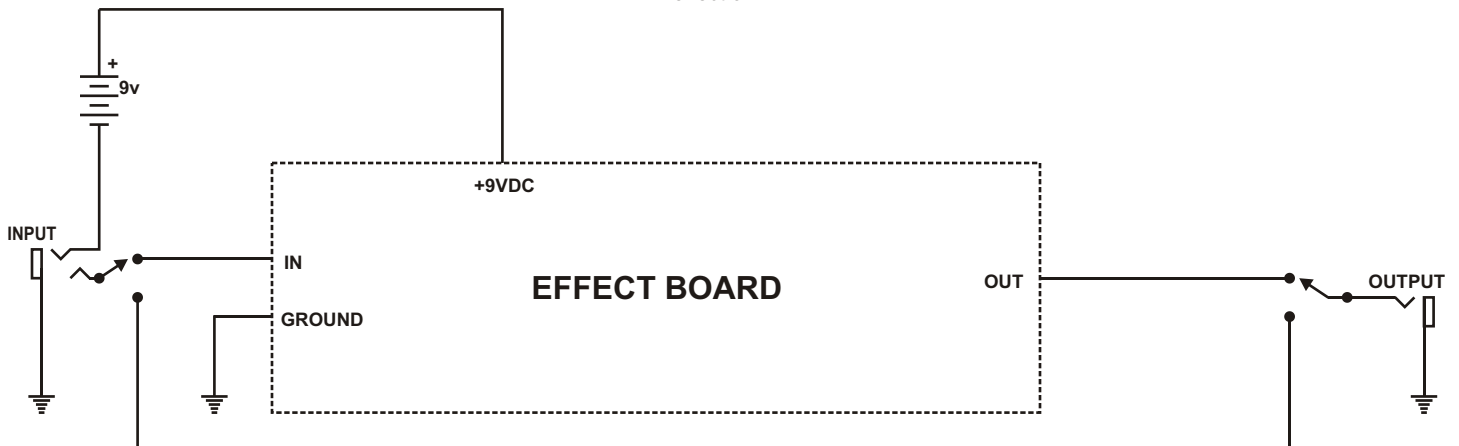
This is the offboard wiring part of the circuit that is omitted in the project page. Use this wiring when a DPDT bypass switch is used and status LED is not required. This wiring doesn't have a DC jack. Please read http://www.geofex.com/Article_Folders/bypass/bypass.htm for information on bypass switching.



Layout and presentation by Francisco Peña 2001-2004®.
All rights reserved. Authorization for personal use only.
any commercial use is forbidden.
Permission for posting/serving limited to
<http://www.tonepad.com>
Permission refused for posting from other sites.

Schematic

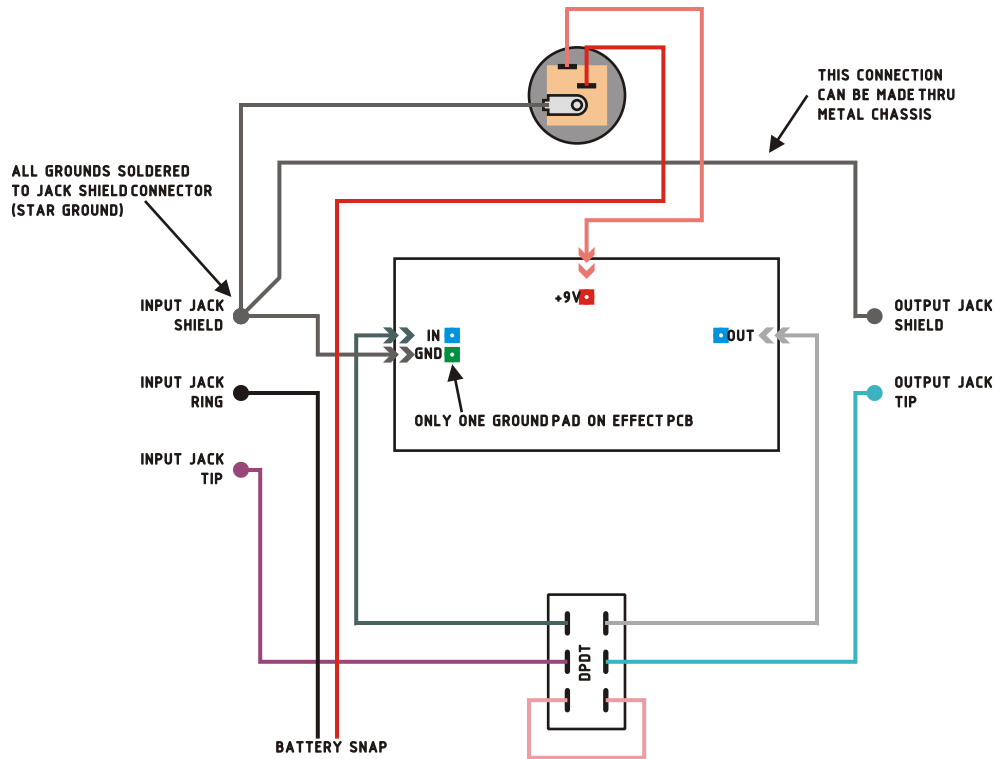
effect on



OFFBOARD WIRING 2

Rev.2.Sep.2.2005

This is the offboard wiring part of the circuit that is omitted in the project page. Use this wiring when a DPDT bypass switch is used and status LED is not required. Please read http://www.geofex.com/Article_Folders/bypass/bypass.htm for information on bypass switching.

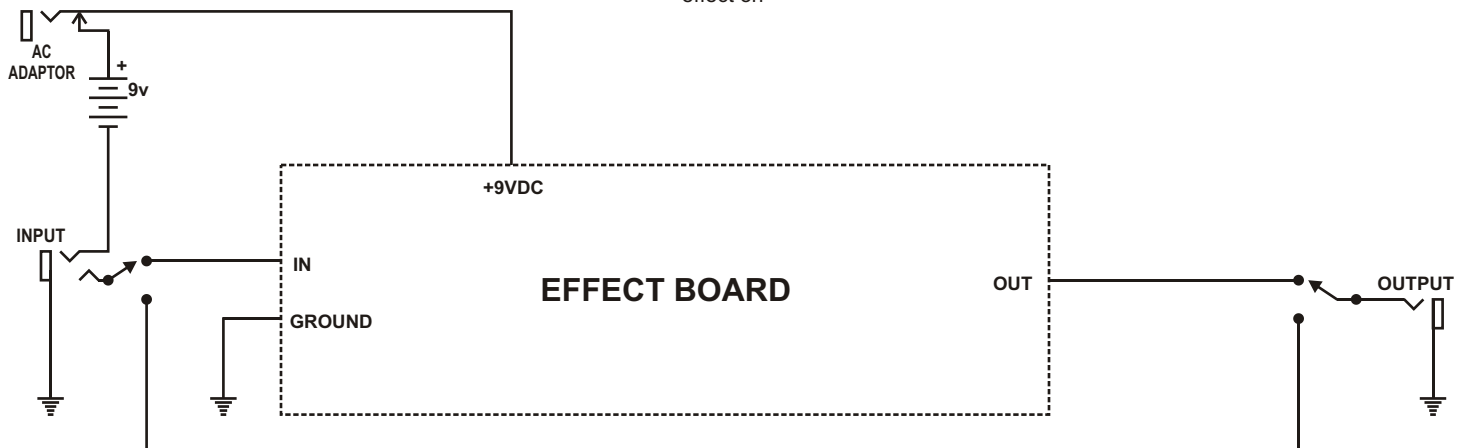


Input jack power switching
DPDT bypass switching
DC Jack

Layout and presentation by Francisco Peña, 2001-2004®.
All rights reserved. Authorization for personal use only.
any commercial use is forbidden.
Permission for posting/serving limited to
<http://www.tonepad.com>
Permission refused for posting from other sites.

Schematic

effect on

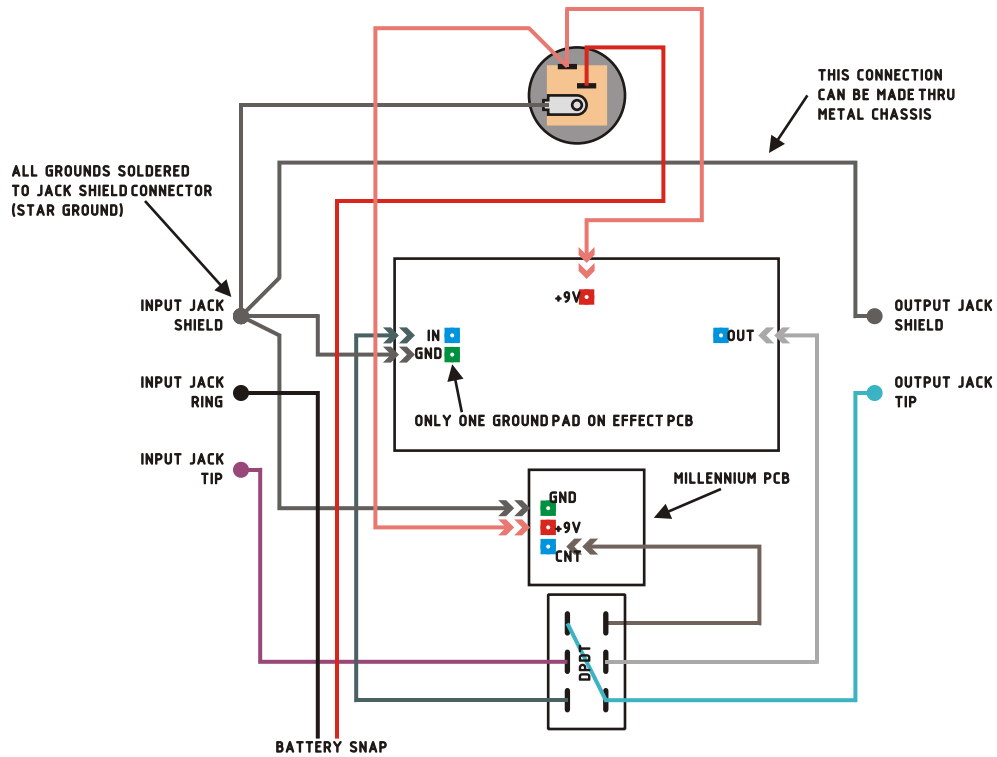


OFFBOARD WIRING 3

Rev.2.Sep.2.2005

This is the offboard wiring part of the circuit that is omitted in the project page. Use this wiring when a status LED is desired and the millennium bypass circuit is not included on the effect printed circuit board and a DPDT bypass switch is used. Includes DC power jack.

Please read http://www.geofex.com/Article_Folders/bypass/bypass.htm for information on the Millennium bypass.

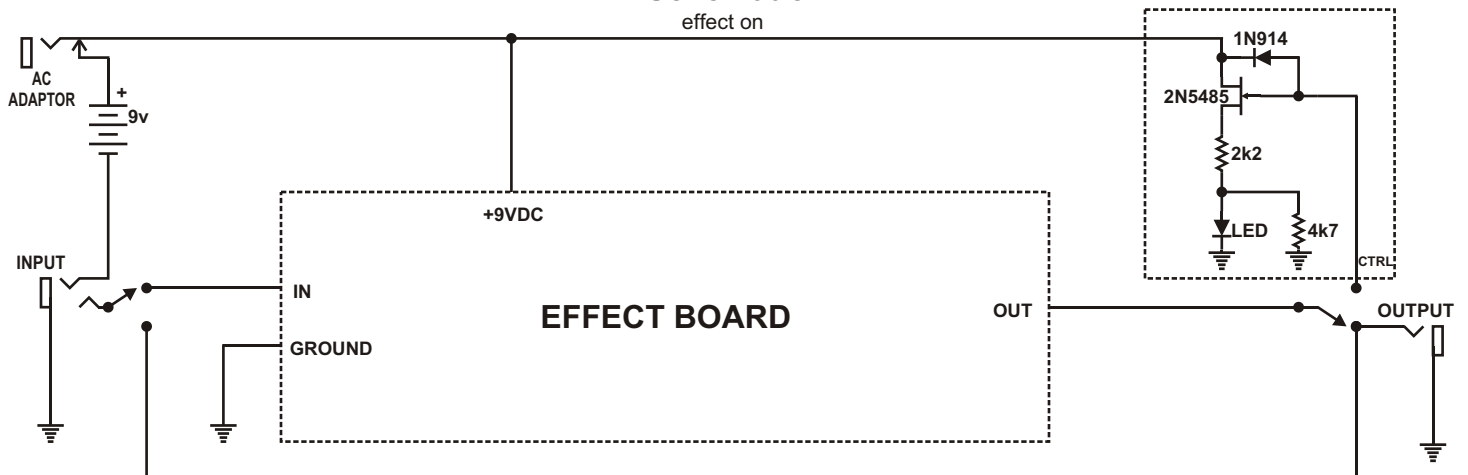


Input jack power switching
 DPDT bypass switching
 Millennium bypass Off Board
 DC Jack

Layout and presentation by Francisco Peña, 2001-2004®.
 All rights reserved. Authorization for personal use only.
 any commercial use is forbidden.
 Permission for posting/serving limited to
<http://www.tonepad.com>
 Permission refused for posting from other sites.

Schematic

effect on

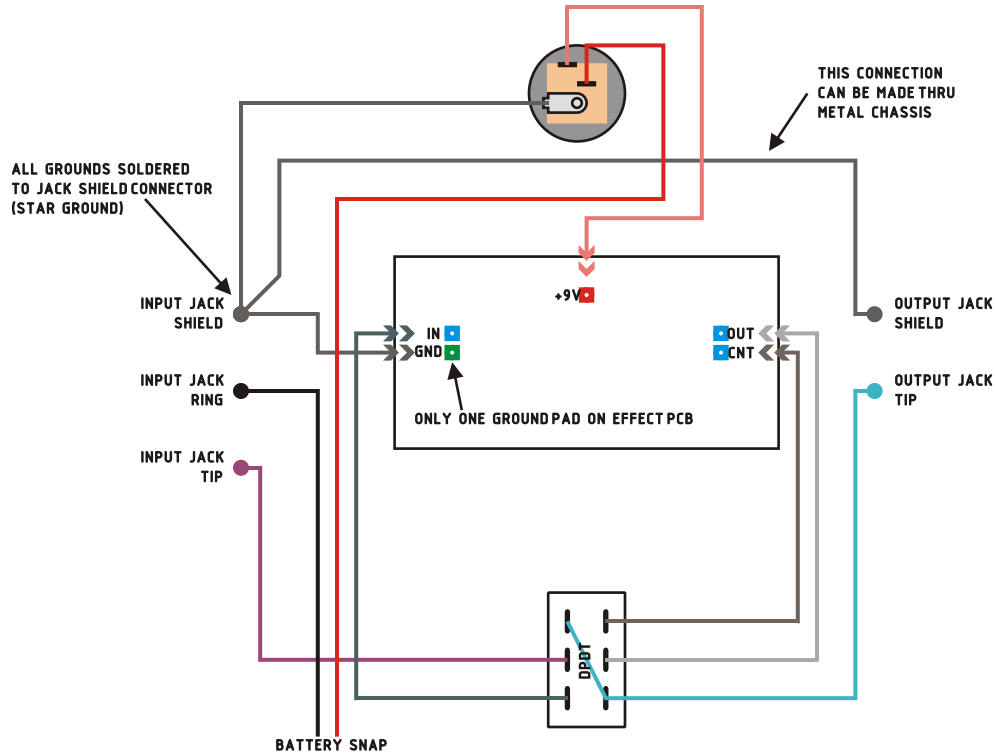


OFFBOARD WIRING 4

Rev.2.Sep.2.2005

This is the offboard wiring part of the circuit that is omitted in the project page. Use this wiring when the millennium bypass circuit is included on the effect printed circuit board and a DPDT bypass switch is used.

Please read http://www.geofex.com/Article_Folders/bypass/bypass.htm for information on the Millennium bypass.

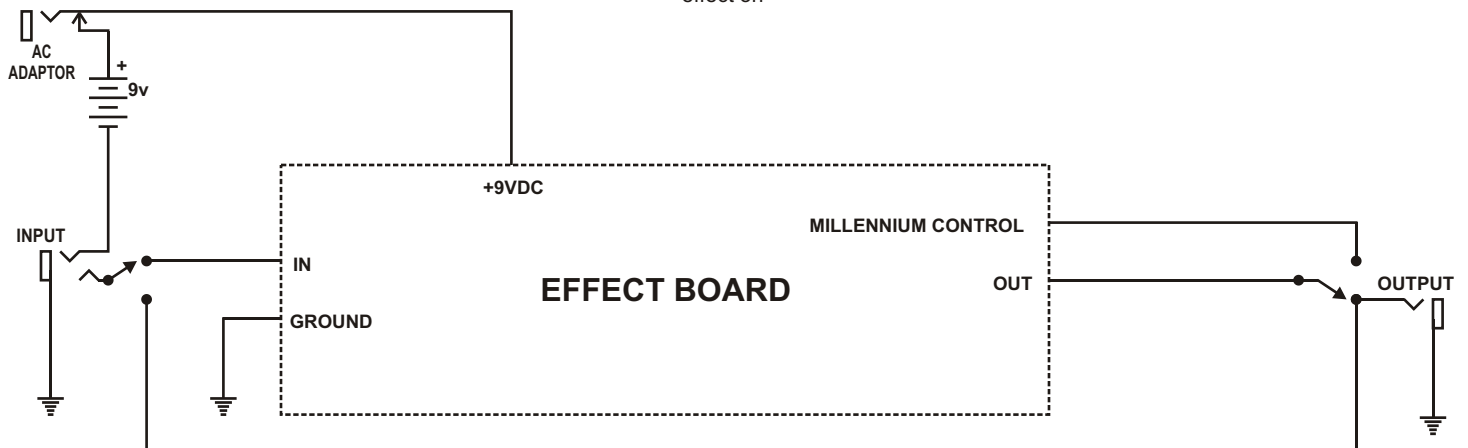


Input jack power switching
 DPDT bypass switching
 Millennium bypass On Board
 DC Jack

Layout and presentation by Francisco Peña 2001-2004®.
 All rights reserved. Authorization for personal use only.
 any commercial use is forbidden.
 Permission for posting/serving limited to
<http://www.tonepad.com>
 Permission refused for posting from other sites.

Schematic

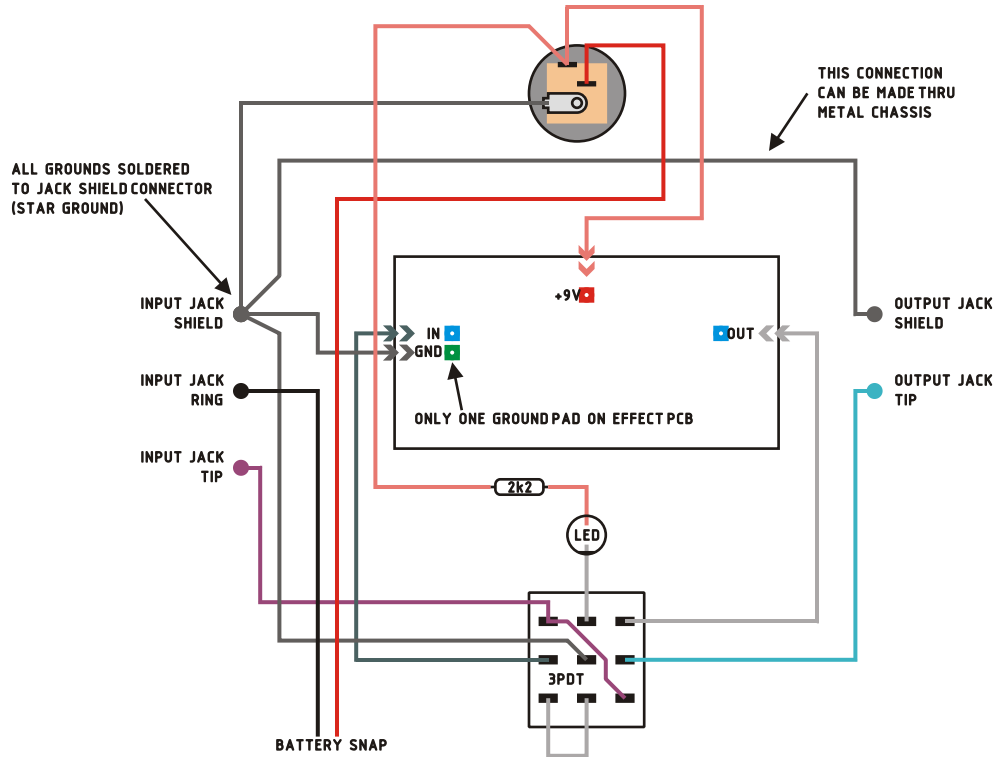
effect on



OFFBOARD WIRING 5

Rev.2.Sep.2.2005

This is the offboard wiring part of the circuit that is omitted in the project page. Use this wiring when a 3PDT bypass switch is used. The effect input is grounded in bypass mode. Please read http://www.geofex.com/Article_Folders/bypass/bypass.htm for information on bypass switching.

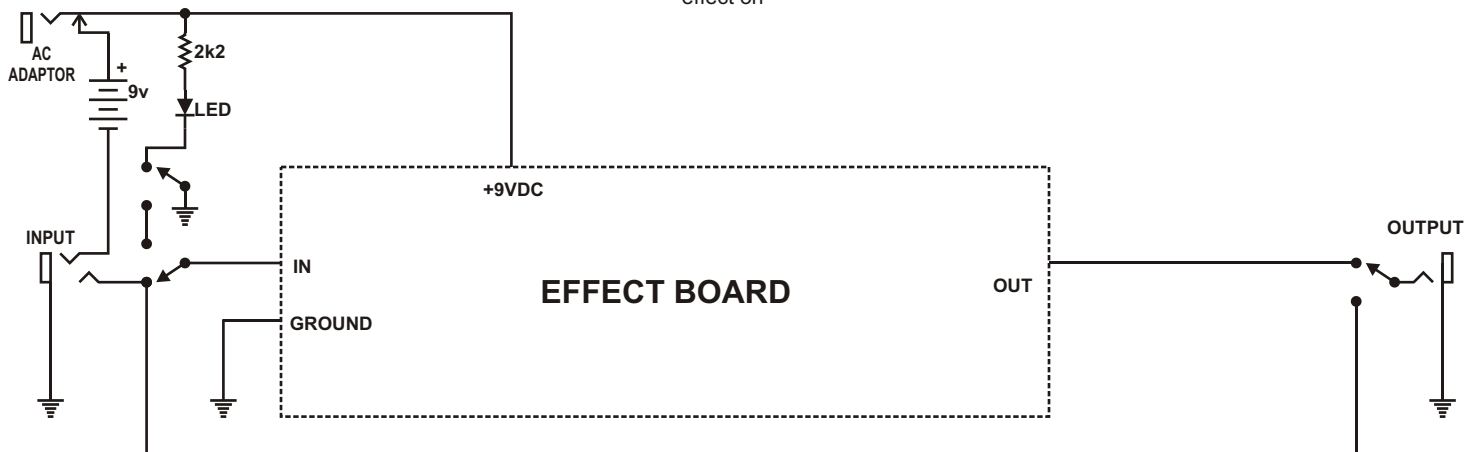


Input jack power switching
3PDT bypass switching
Input grounded on bypass
DC Jack

Layout and presentation by Francisco Peña 2001-2004®.
All rights reserved. Authorization for personal use only.
any commercial use is forbidden.
Permission for posting/serving limited to
<http://www.tonepad.com>
Permission refused for posting from other sites.

Schematic

effect on

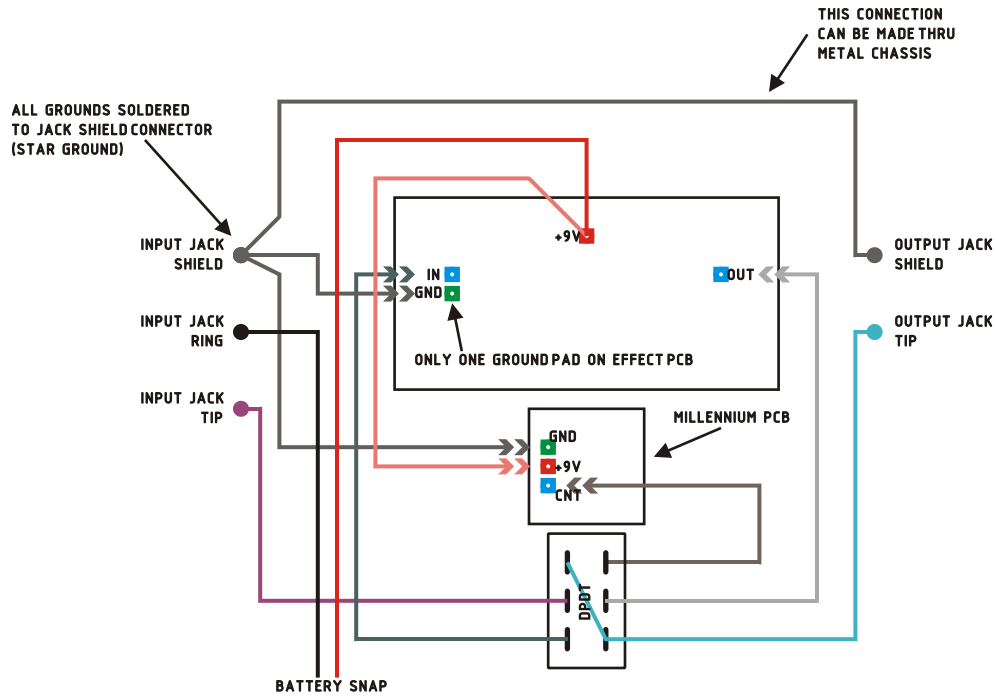


OFFBOARD WIRING 6

Rev.2.Sep.2.2005

This is the offboard wiring part of the circuit that is omitted in the project page. Use this wiring when a status LED is desired and the millennium bypass circuit is not included on the effect printed circuit board and a DPDT bypass switch is used. Doesn't include DC power jack.

Please read http://www.geofex.com/Article_Folders/bypass/bypass.htm for information on the Millennium bypass.



Input jack power switching
DPDT bypass switching
Millennium bypass Off Board

Layout and presentation by Francisco Peña, 2001-2004.
 All rights reserved. Authorization for personal use only.
 any commercial use is forbidden.
 Permission for posting/serving limited to
<http://www.tonepad.com>
 Permission refused for posting from other sites.

Schematic

effect on

